

Kubota

全球产量第一
World Largest In Production

U-50-5

ZEPHI SERIES

日本制造
Made In Japan



- High Performance Features
- Power, Speed, Maneuverability
- Advanced Japanese Technology
- International Standards Compliance
- Low Noise & Vibration
- Enhanced Durability & Payload



長利發機械建築私人有限公司

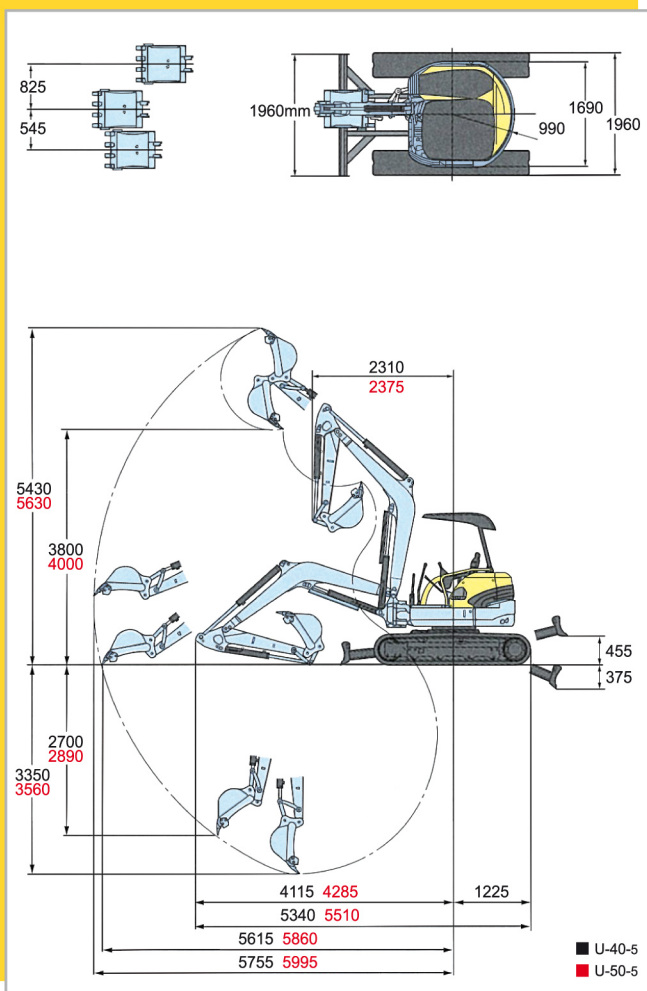
TIONG LEE HUAT MACHINERY & CONSTRUCTION PTE. LTD.

Blk 52 Ubi Avenue 3 #02-34 Frontier Singapore 408867

Tel: (65) 6445 8611 Fax: (65) 6241 9778

Website: www.tiongleehu.com Email: tlhmcpl@singnet.com.sg

Dimension



Model	U-50-5
Bucket Capacity	0.16m ³
Bucket Width/ w/o Teeth	650/ 600mm
Machine Weight	4690kg
Overall Length	5510mm
Overall Height	2540mm
Overall Width	1960mm
Ground Clearance	320mm
Engine Type	Water Cooled V2203-EDM
Engine Displacement	2197cc
Engine Output	28.8kw(39.2PS)/ 2250rpm
Max Digging Height	5630mm
Max Dumping Clearance	4000mm
Max Digging Depth	3560mm
Max Vertical Digging Depth	2890mm
Max Digging Radius	5995mm
Min Front Swing Radius	2375mm
Tail Swing Radius	990mm
Max Digging Force	36.5kN (3720kgf)
Shoe Width	400mm
Crawler Length	2500mm
Track Length	1990mm
Track Gauge	1560mm
Max Travelling Speed	2.4/ 4.2 km/h
Gradeability	30°
Swing Speed	8.6rpm
Dozer Width	1960mm
Dozer Height	360mm
Dozer Up/ Down Clearance	455/375mm
Fuel Tank Capacity	64L

Reliable Japanese Engine

高效应
High Efficiency



• Powerful clean environmental engine

超强马力, 清洁排放

• EPA Interim Tier 4

达到美国 EPA Interim Tier 4 水准

• EU Stage IIIA

达到欧洲 EU Stage IIIA 排放标准

• Low Noise

超低噪音

• Low Vibration

低震动度

Features 特点



Multi Level



Rotary Engine Throttle with Auto Idling System



ROPS / FOPS Canopy

High Performance 高性能



Load-sensing Hydraulic System

Attachments 附件



Concrete Breaker



Hydraulic Grapple

Frontier Technology 顶尖科技



Digital Panel

